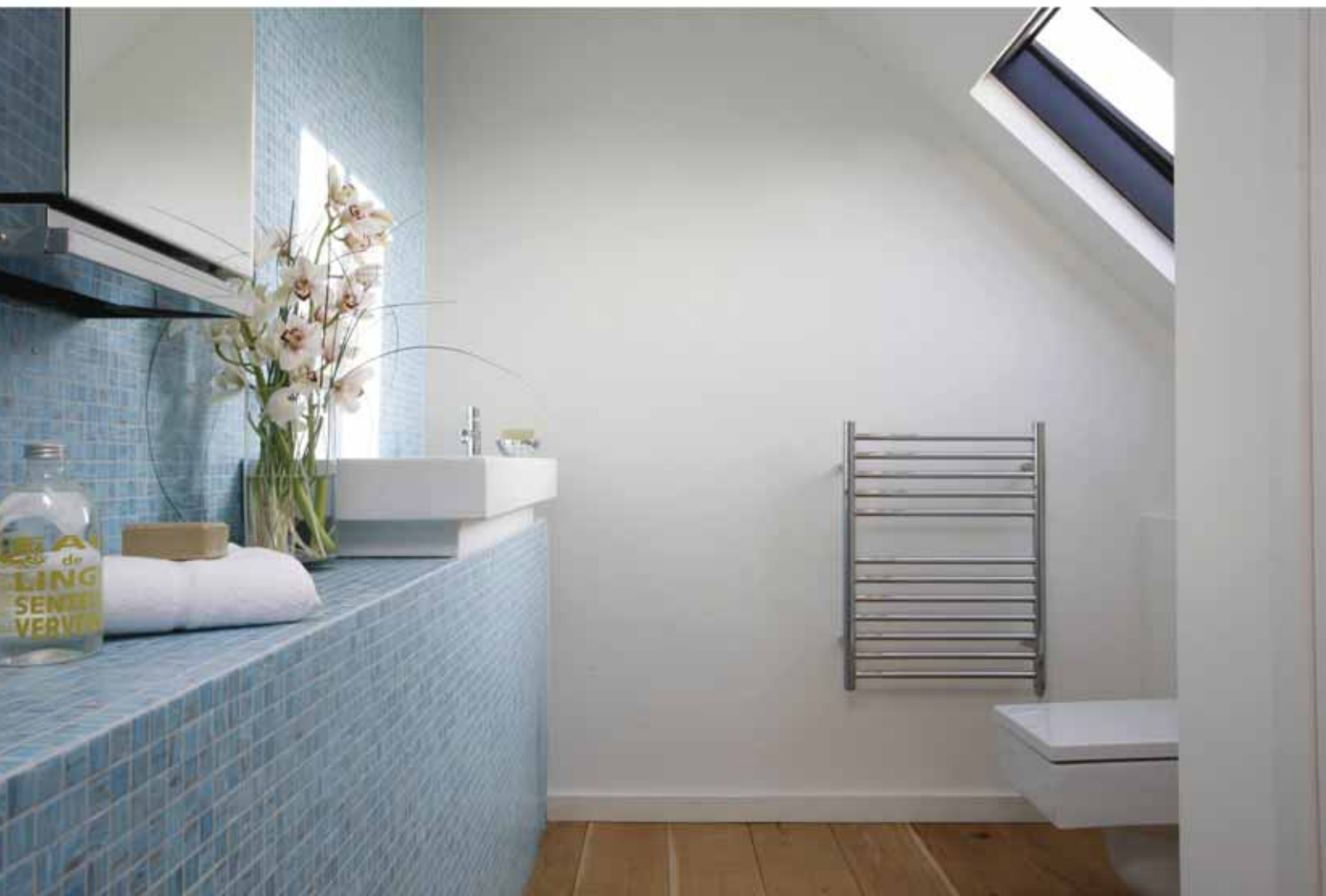




At JIS we are proud of our company. We are the original stainless steel towel rail company. We decided to produce our rails from stainless steel because it was the environmental and durable choice. This was some 20 years ago, long before they were the bywords and marketing spin of the day. We source our rails ethically, always have and always will. Our customers and staff are the most important factors in our business. We endeavour to always offer the best customer service, be it on the phone, our 25 year guarantee or the variety and practicability of our rails. We are known throughout the industry for these standards. We only ever strive to be better and better at our job. As I said, we are proud of our company, we believe you will be proud of our product.

Enjoy the collection,

Richard Thelwell  
Managing Director



Ouse 520

# CONTENTS

## LADDER RAILS

	PAGE
Ouse - Flat Front	3 - 4
Steyning - Flat Front	5 - 6
Ashdown - Flat Front	7 - 8
Beacon - Flat Front	9 - 10
Newick - Flat Front	11 - 12
Cinder - Large Gap	13
Rusper - Large Gap	13 - 14
Pevensey - Large Gap	15 - 16
Lindfield - Large Gap	15 - 16
Ardingly - Large Gap	17 - 18
Lewes - Large Gap	19 - 20
Buxted - Flat Front	22
Coombe - High Output	22
Ansty - High Output	21 - 22
Adur - Curved Front	23 - 24
Camber - Curved Front	25 - 26

## DESIGNER RAILS

Findon - Extended Protruding Curved Rail	29 - 30
Alfriston - Mitred Corner Rail	31 - 32
Fletching - Traditional Rail	33 - 34
Fletching Floor to Wall - Floor Mounted Traditional Rail	35 - 36
Brunswick - Square Rail	37 - 40
Hickstead - Side Arm with Square Profile	41 - 42
Goodwood - Side Arm with Oval Profile	43 - 44
Rye *Charity Initiative* - Tilting Ladder Rail	45 - 46
Midhurst - Side Fixing Rail	47 - 48
Newhaven - Shelf Rail	49 - 50

## FEATURE RAILS

Mayfield - Large Tubular	53 - 54
Arun - Flat Panel	55 - 58
Hove - Small Tubular	59 - 62

## ACCESSORIES

Valves - Pipes From Floor	64
Valves - Pipes From Wall	65 - 66
Dual Fuel Valves	67
Elements	67
Dual Fuel Kits	68
Mixed Valves	68
Electric Only Towel Rails	69
Brackets & Accessories	70 - 72
Technical Sheet	73 - 74

# LADDER RAILS





Lindfield - Ladder Rail

# OUSE - 100% STAINLESS STEEL

Available in Central Heating, Electric & Dual Fuel

Additional Shelf Hanger Accessory available.



<u>Model</u>	<u>Dimensions</u>	<u>BTU</u>	<u>Watts</u>	<u>RRP ex VAT</u>
Ouse 300	700 x 300mm	1068	313	£189.95
Ouse 400	700 x 400mm	1380	404	£198.95
Ouse 520	700 x 520mm	1500	440	£205.95
Ouse 620	700 x 620mm	1648	483	£239.95

- The above prices are based on central heating format.
- Available in central heating, electric and dual fuel formats.
- For pipe centres, subtract 30mm from width. For dual fuel, pipe centres may differ.
- Satin finish is available, please add 30% to the price shown.
- Standard brackets are included with the towel rail unless otherwise stated. Standard (85mm) & short (60mm) brackets available, Adjustable brackets are £29.95 extra when purchased with rail. £79.90 when purchased separately. Please see page 71 for further details.
- The Sussex Range of towel rails are also available in electric only format. Electric formats start from an additional £79.95 with adjustable options also available. Please see page 69 for more details.
- Please see page 64, 65, 66, 67 and 68 for our valves
- Additional shelf hanger accessory is available. Please see page 70 for further details.







Steyning 520

# STEYNING - 100% STAINLESS STEEL

Available in Central Heating, Electric & Dual Fuel

Additional Shelf Hanger Accessory available



<u>Model</u>	<u>Dimensions</u>	<u>BTU</u>	<u>Watts</u>	<u>RRP ex VAT</u>
Steyning 300	1000 x 300mm	1517	445	£229.95
Steyning 400	1000 x 400mm	1806	529	£239.45
Steyning 520	1000 x 520mm	1968	576	£249.95
Steyning 620	1000 x 620mm	2108	618	£294.95

- The above prices are based on central heating format.
- Available in central heating, electric and dual fuel formats.
- For pipe centres, subtract 30mm from width. For dual fuel, pipe centres may differ.
- Satin finish is available, please add 30% to the price shown.
- Standard brackets are included with the towel rail unless otherwise stated. Standard (85mm) & short (60mm) brackets available, Adjustable brackets are £29.95 extra when purchased with rail. £79.90 when purchased separately. Please see page 71 for further details.
- The Sussex Range of towel rails are also available in electric only format. Electric formats start from an additional £79.95 with adjustable options also available. Please see page 69 for more details..
- Please see page 64, 65, 66, 67 and 68 for our valves
- Additional shelf hanger accessory is available. Please see page 70 for further details.

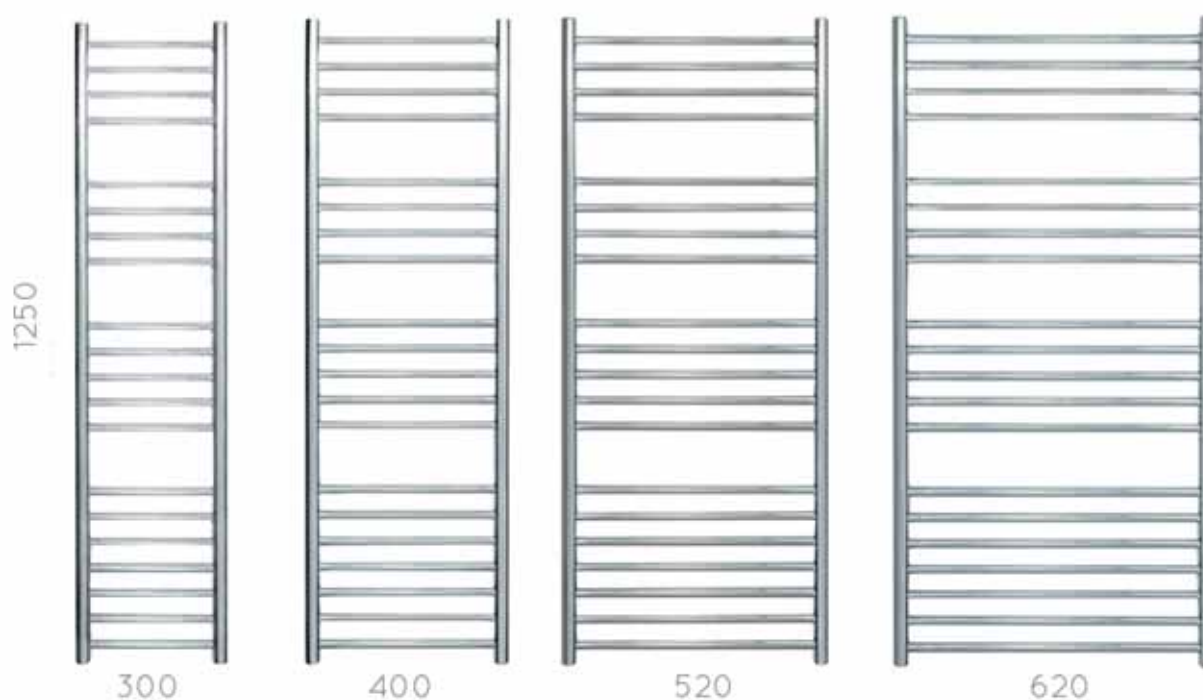


Ashdown 520

# ASHDOWN - 100% STAINLESS STEEL

Available in Central Heating, Electric & Dual Fuel

Additional Shelf Hanger Accessory available



<u>Model</u>	<u>Dimensions</u>	<u>BTU</u>	<u>Watts</u>	<u>RRP ex VAT</u>
Ashdown 300	1250 x 300mm	2106	617	£269.95
Ashdown 400	1250 x 400mm	2368	694	£279.95
Ashdown 520	1250 x 520mm	2500	733	£299.98
Ashdown 620	1250 x 620mm	2726	799	£349.95

- The above prices are based on central heating format.
- Available in central heating, electric and dual fuel formats.
- For pipe centres, subtract 30mm from width. For dual fuel, pipe centres may differ.
- Satin finish is available, please add 30% to the price shown.
- Standard brackets are included with the towel rail unless otherwise stated. Standard (85mm) & short (60mm) brackets available, Adjustable brackets are £29.95 extra when purchased with rail. £79.90 when purchased separately. Please see page 71 for further details.
- The Sussex Range of towel rails are also available in electric only format. Electric formats start from an additional £79.95 with adjustable options also available. Please see page 69 for more details.
- Please see page 64, 65, 66, 67 and 68 for our valves
- Additional shelf hanger accessory is available. Please see page 70 for further details.

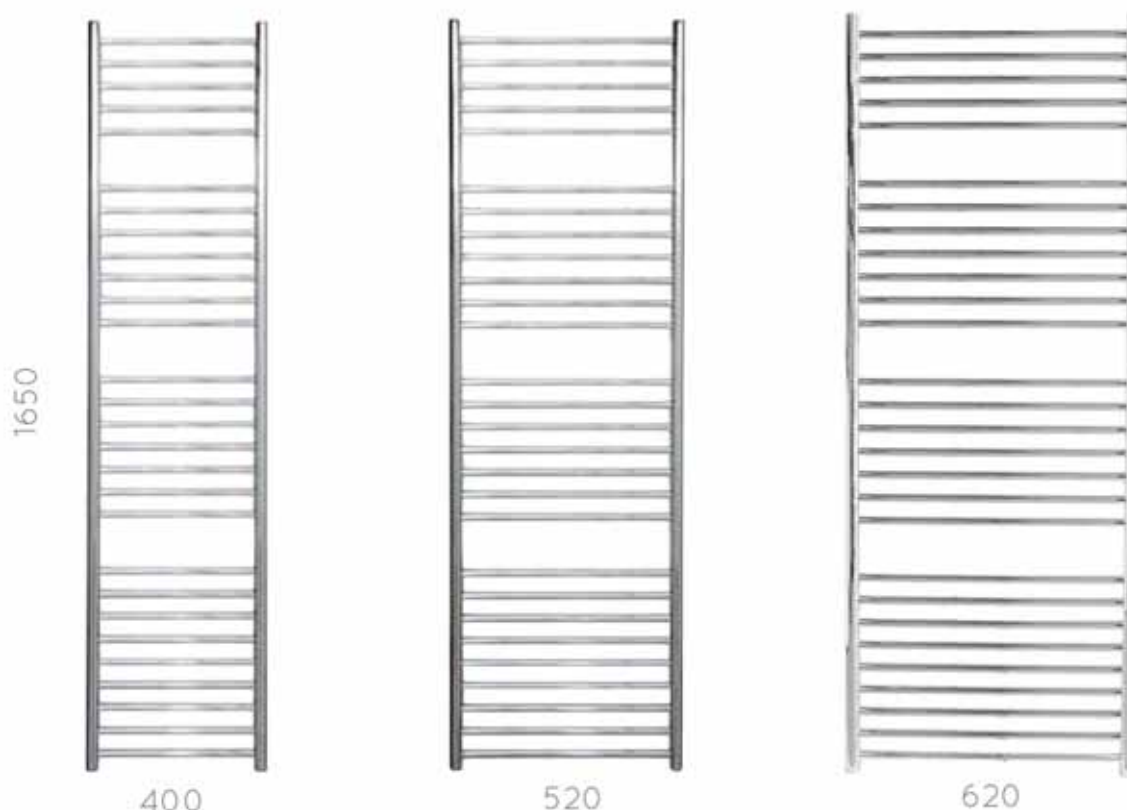
- 25 YEAR GUARANTEE -



# BEACON - 100% STAINLESS STEEL

Available in Central Heating, Electric & Dual Fuel

Additional Shelf Hanger Accessory available



Model	Dimensions	BTU	Watts	RRP ex VAT
Beacon 400	1650 x 400mm	2709	794	£489.95
Beacon 520	1650 x 520mm	2932	859	£539.95
Beacon 620	1650 x 620mm	3129	917	£589.95

- The above prices are based on central heating format.
- Available in central heating, electric and dual fuel formats.
- For pipe centres, subtract 30mm from width. For dual fuel, pipe centres may differ.
- Satin finish is available, please add 30% to the price shown.
- Standard brackets are included with the towel rail unless otherwise stated. Standard (85mm) & short (60mm) brackets available, Adjustable brackets are £29.95 extra when purchased with rail. £79.90 when purchased separately. Please see page 71 for further details.
- The Sussex Range of towel rails are also available in electric only format. Electric formats start from an additional £79.95 with adjustable options also available. Please see page 69 for more details.
- Please see page 64, 65, 66, 67 and 68 for our valves
- Additional shelf hanger accessory is available. Please see page 70 for further details.





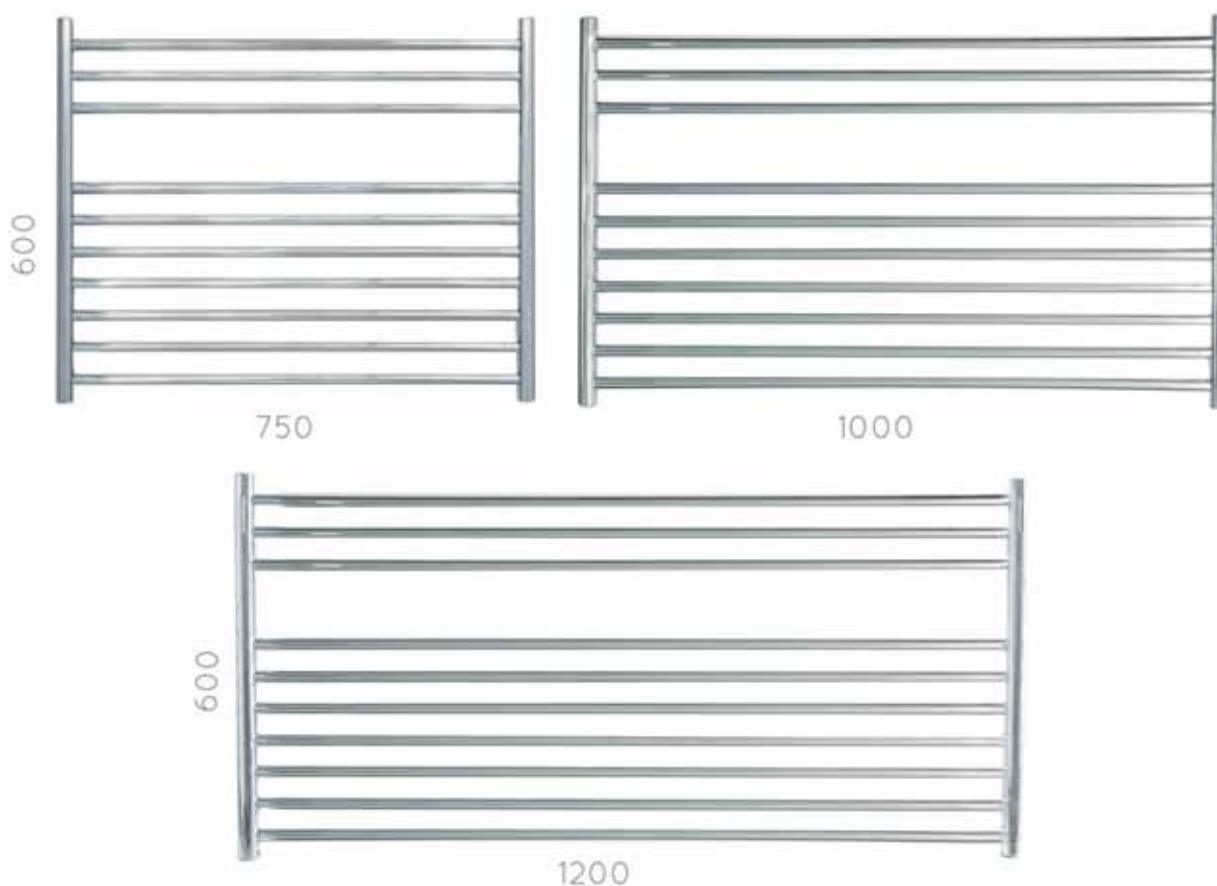
Beacon 520



Newick 1000

# NEWICK - 100% STAINLESS STEEL

Available in Central Heating, Electric & Dual Fuel

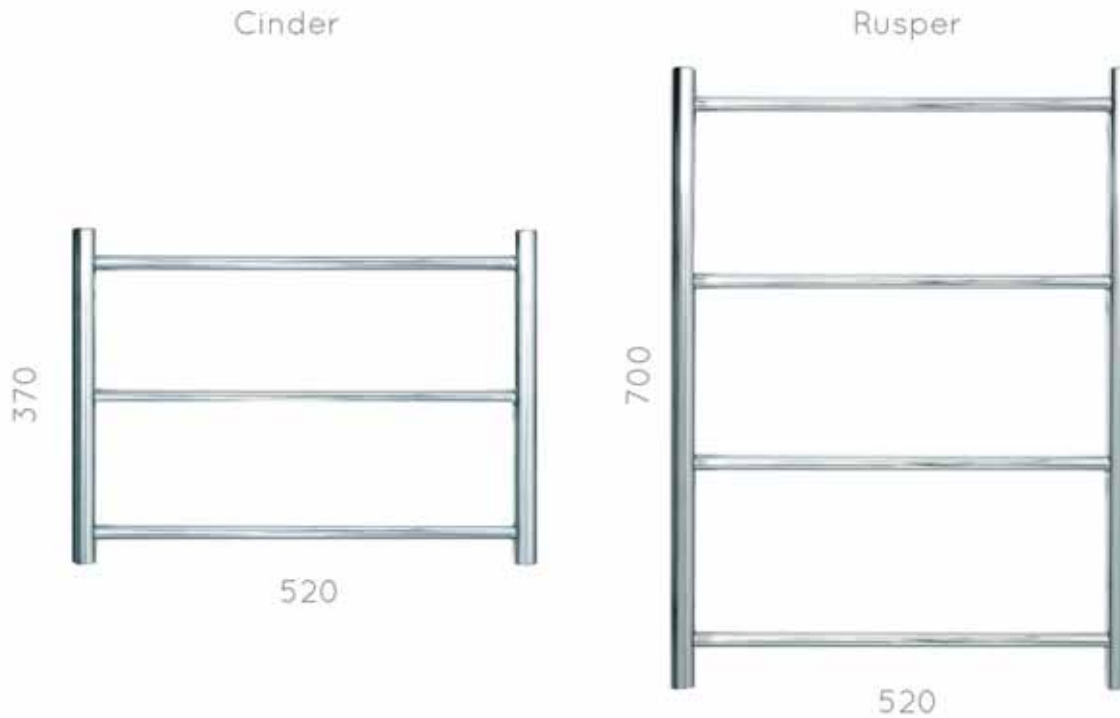


<u>Model</u>	<u>Dimensions</u>	<u>BTU</u>	<u>Watts</u>	<u>RRP ex VAT</u>
Newick 750	600 x 750mm	1676	491	£246.98
Newick 1000	600 x 1000mm	1885	552	£278.25
Newick 1200	600 x 1200mm	2079	609	£324.00

- The above prices are based on central heating format.
- Available in central heating, electric and dual fuel formats.
- For pipe centres, subtract 30mm from width. For dual fuel, pipe centres may differ.
- Satin finish is available, please add 30% to the price shown.
- Standard brackets are included with the towel rail unless otherwise stated. Standard (85mm) & short (60mm) brackets available, Adjustable brackets are £29.95 extra when purchased with rail, £79.90 when purchased separately. Please see page 71 for further details.
- The Sussex Range of towel rails are also available in electric only format. Electric formats start from an additional £79.95 with adjustable options also available. Please see page 69 for more details.
- Please see page 64, 65, 66, 67 and 68 for our valves

# CINDER & RUSPER - 100% STAINLESS STEEL

Available in Central Heating, Electric & Dual Fuel



<u>Model</u>	<u>Dimensions</u>	<u>BTU</u>	<u>Watts</u>	<u>RRP ex VAT</u>
Cinder	370 x 520mm	410	120	£145.95
Rusper	700 x 520mm	740	217	£179.95

- The above prices are based on central heating format.
- Available in central heating, electric and dual fuel formats.
- For pipe centres, subtract 30mm from width. For dual fuel, pipe centres may differ.
- Satin finish is available, please add 30% to the price shown.
- Standard brackets are included with the towel rail unless otherwise stated. Standard (85mm) & short (60mm) brackets available, Adjustable brackets are £29.95 extra when purchased with rail, £79.90 when purchased separately. Please see page 71 for further details.
- The Sussex Range of towel rails are also available in electric only format. Electric formats start from an additional £79.95 with adjustable options also available. Please see page 69 for more details.
- Please see page 64, 65, 66, 67 and 68 for our valves





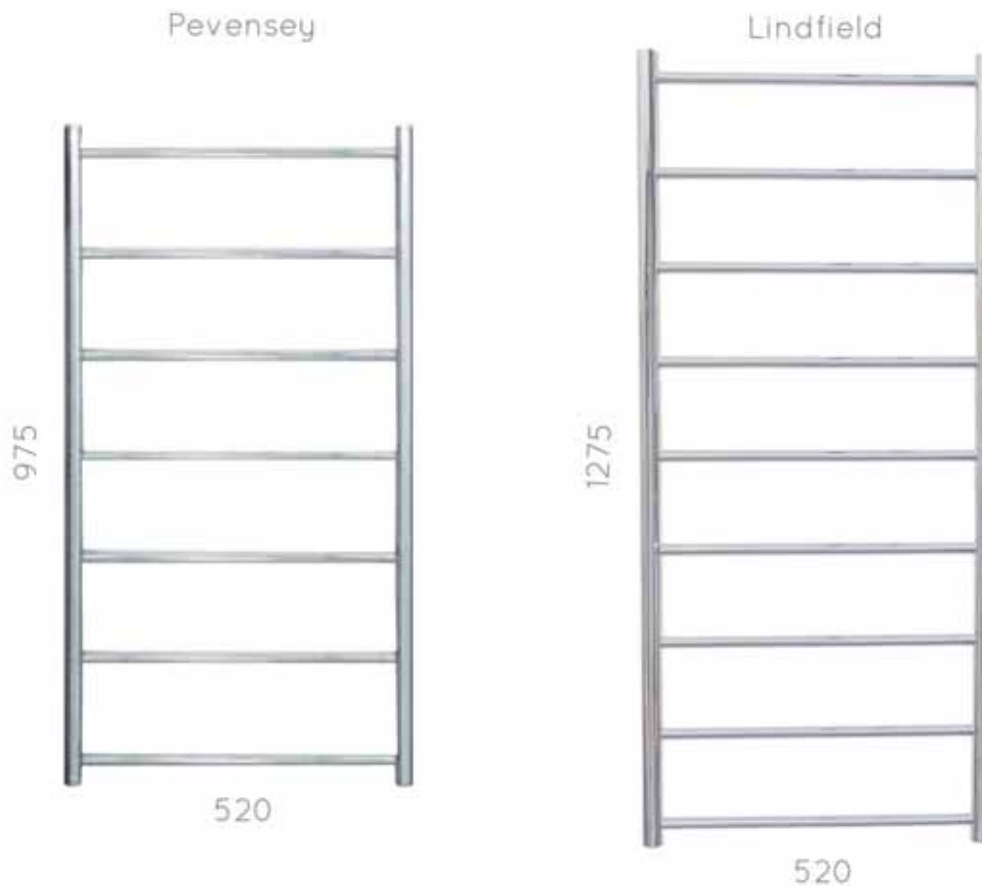
Rusper





# PEVENSEY & LINDFIELD - 100% STAINLESS STEEL

Available in Central Heating, Electric & Dual Fuel



<u>Model</u>	<u>Dimensions</u>	<u>BTU</u>	<u>Watts</u>
Pevensey	975 x 520mm	1381	405
Lindfield	1275 x 520mm	1726	506

- The above prices are based on central heating format.
- Available in central heating, electric and dual fuel formats.
- For pipe centres, subtract 30mm from width. For dual fuel, pipe centres may differ.
- Satin finish is available, please add 30% to the price shown.
- Standard brackets are included with the towel rail unless otherwise stated. Standard (85mm) & short (60mm) brackets available, Adjustable brackets are £29.95 extra when purchased with rail. £79.90 when purchased separately. Please see page 71 for further details.
- The Sussex Range of towel rails are also available in electric only format. Electric formats start from an additional £79.95 with adjustable options also available. Please see page 69 for more details.
- Please see page 64, 65, 66, 67 and 68 for our valves

# ARDINGLY - 100% STAINLESS STEEL

Available in Central Heating, Electric & Dual Fuel



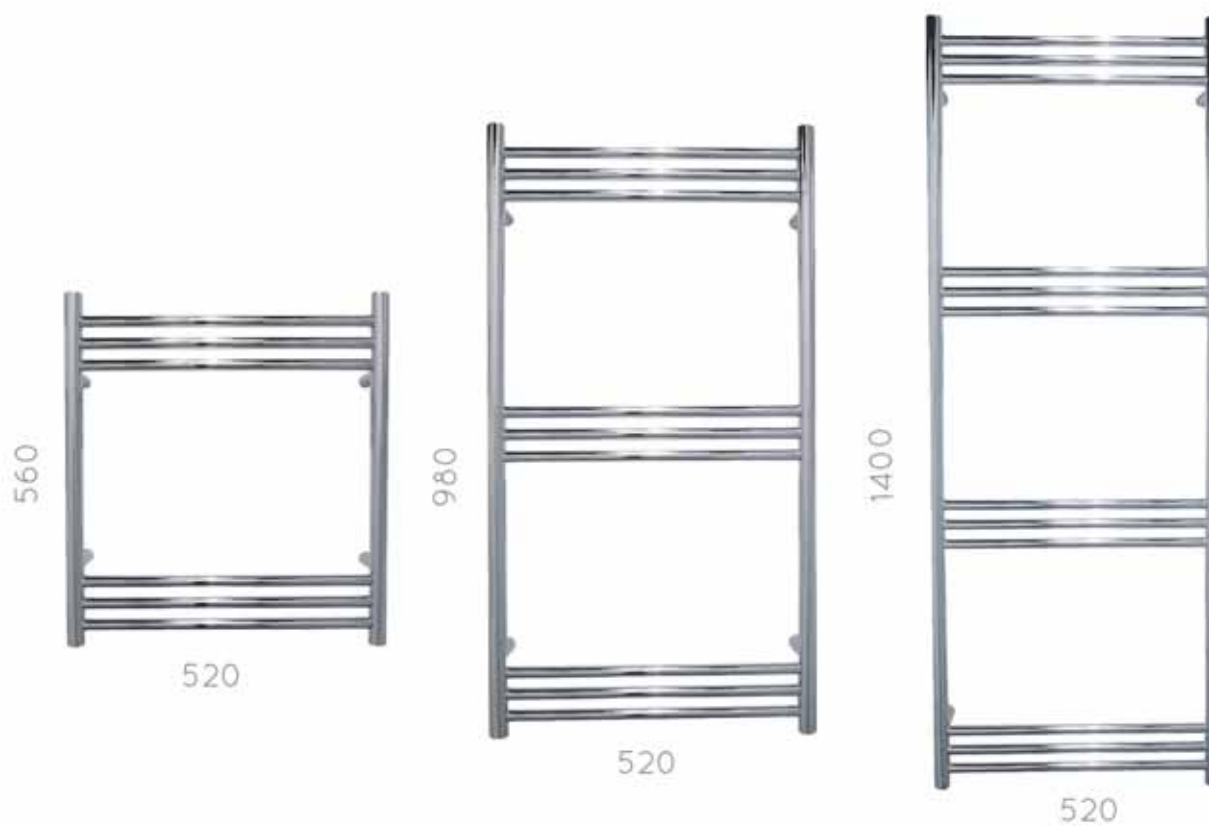
<u>Model</u>	<u>Dimensions</u>	<u>BTU</u>	<u>Watts</u>	<u>RRP ex VAT</u>
Ardingly	1580 x 520mm	2114	617	£359.95

- The above prices are based on central heating format.
- Available in central heating, electric and dual fuel formats.
- For pipe centres, subtract 30mm from width. For dual fuel, pipe centres may differ.
- Satin finish is available, please add 30% to the price shown.
- Standard brackets are included with the towel rail unless otherwise stated. Standard (85mm) & short (60mm) brackets available. Adjustable brackets are £29.95 extra when purchased with rail. £79.90 when purchased separately. Please see page 71 for further details.
- The Sussex Range of towel rails are also available in electric only format. Electric formats start from an additional £79.95 with adjustable options also available. Please see page 69 for more details.
- Please see page 64, 65, 66, 67 and 68 for our valves



# LEWES - 100% STAINLESS STEEL

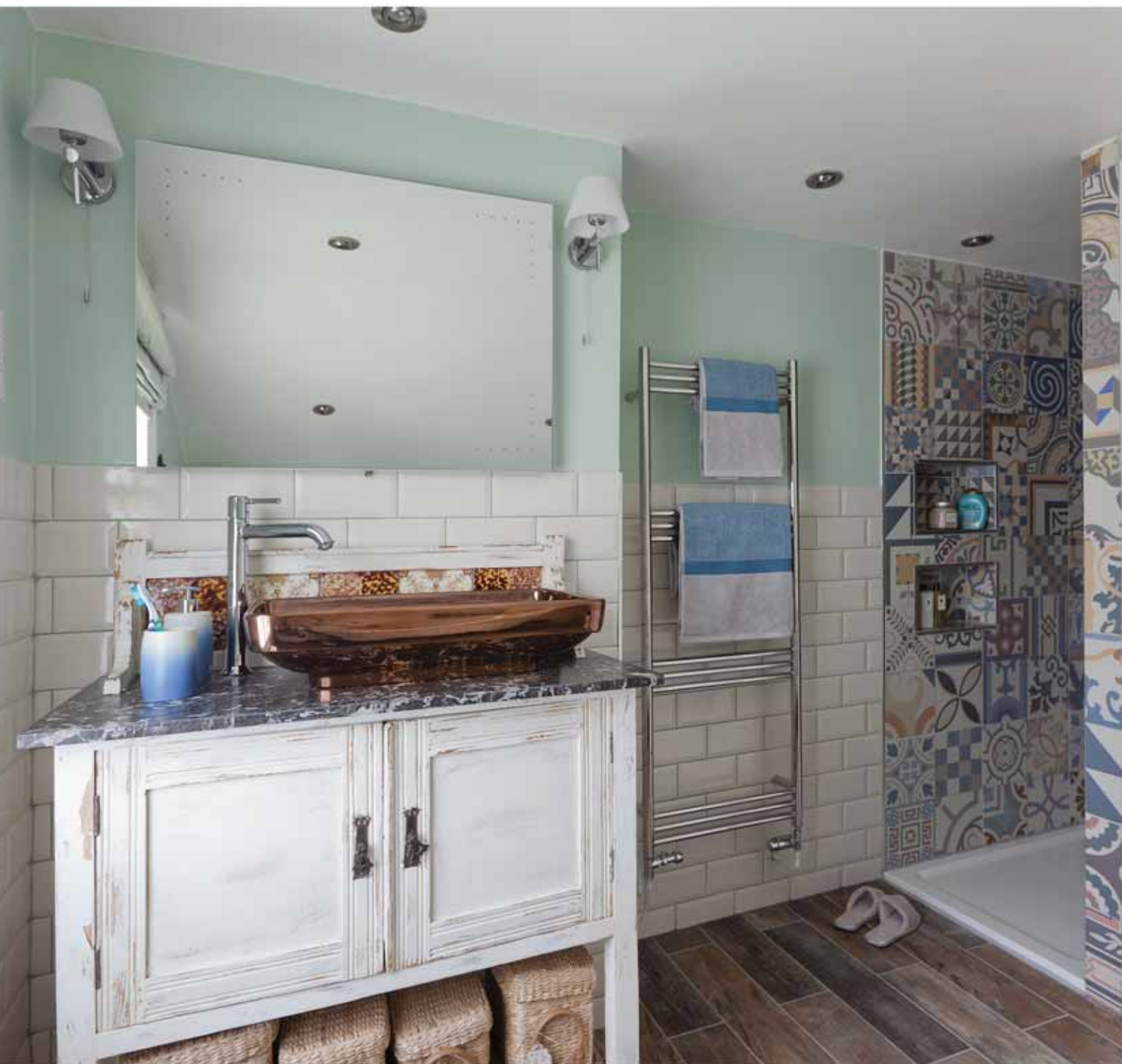
Available in Central Heating, Electric & Dual Fuel



<u>Model</u>	<u>Dimensions</u>	<u>BTU</u>	<u>Watts</u>	<u>RRP ex VAT</u>
Lewes 560	560 x 520mm	938	275	£198.00
Lewes 980	980 x 520mm	1533	449	£279.00
Lewes 1400	1400 x 520mm	2109	618	£359.00

- The above prices are based on central heating format.
- Available in central heating, electric and dual fuel formats.
- For pipe centres, subtract 30mm from width. For dual fuel, pipe centres may differ.
- Satin finish is available, please add 30% to the price shown.
- Standard brackets are included with the towel rail unless otherwise stated. Standard (85mm) & short (60mm) brackets available, Adjustable brackets are £29.95 extra when purchased with rail, £79.90 when purchased separately. Please see page 71 for further details.
- The Sussex Range of towel rails are also available in electric only format. Electric formats start from an additional £79.95 with adjustable options also available. Please see page 69 for more details.
- Please see page 64, 65, 66, 67 and 68 for our valves





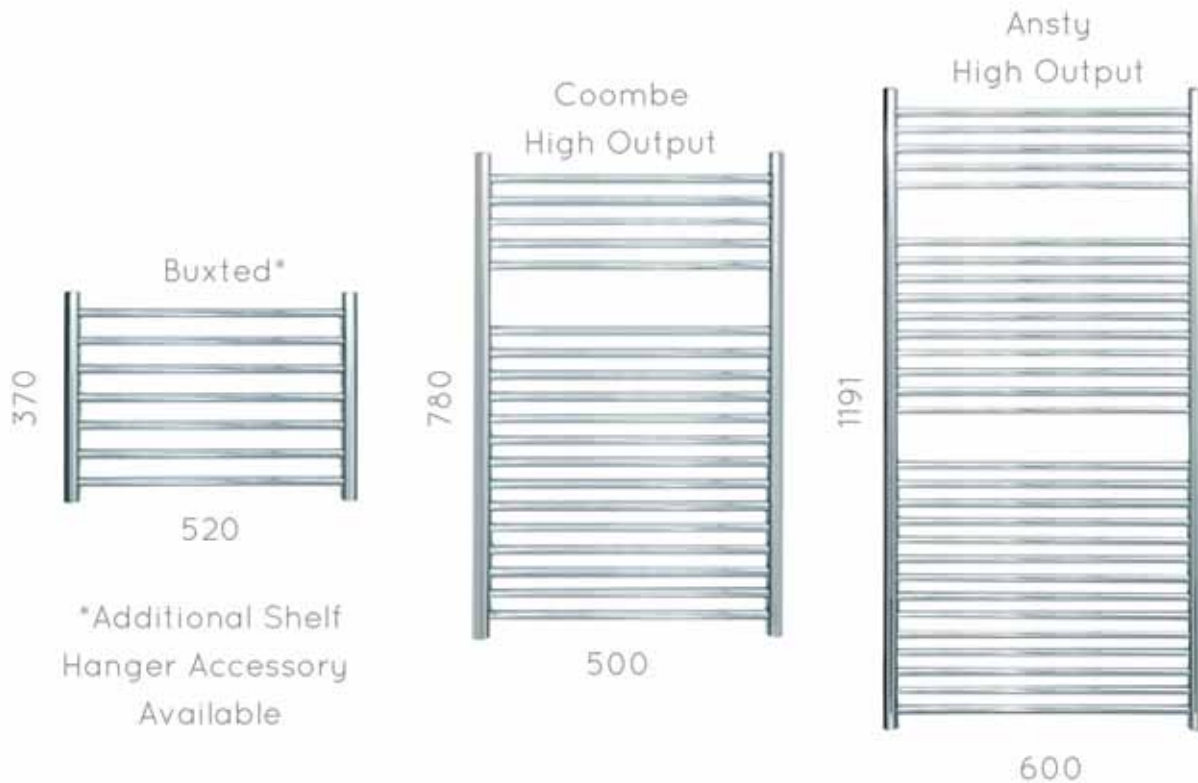
Lewes 1400



# BUXTED, COOMBE & ANSTY

100% STAINLESS STEEL

Available in Central Heating, Electric & Dual Fuel



<u>Model</u>	<u>Dimensions</u>	<u>BTU</u>	<u>Watts</u>	<u>RRP ex VAT</u>
Buxted	370 x 520mm	840	246	£169.95
Coombe	780 x 500mm	1998	585	£369.98
Ansty	1191 x 600mm	2859	838	£579.98

- The above prices are based on central heating format.
- Available in central heating, electric and dual fuel formats.
- For pipe centres, subtract 30mm from width. For dual fuel, pipe centres may differ.
- Satin finish is available, please add 30% to the price shown.
- Standard brackets are included with the towel rail unless otherwise stated. Standard (85mm) & short (60mm) brackets available, Adjustable brackets are £29.95 extra when purchased with rail. £79.90 when purchased separately. Please see page 71 for further details.
- The Sussex Range of towel rails are also available in electric only format. Electric formats start from an additional £79.95 with adjustable options also available. Please see page 69 for more details.
- Please see page 64, 65, 66, 67 and 68 for our valves
- Additional shelf hanger accessory is available for the Buxted. Please see page 70 for further details.





Adur 400

# ADUR - Curved

100% STAINLESS STEEL

Available in Central Heating, Electric & Dual Fuel



<u>Model</u>	<u>Dimensions</u>	<u>BTU</u>	<u>Watts</u>	<u>RRP ex VAT</u>
Adur 400	1250 x 400mm	2486	728	£320.38
Adur 520	1250 x 520mm	2597	761	£355.98
Adur 620	1250 x 620mm	2841	832	£391.58

- The above prices are based on central heating format.
- Available in central heating, electric and dual fuel formats.
- For pipe centres, subtract 30mm from width. For dual fuel, pipe centres may differ.
- Satin finish is available, please add 30% to the price shown.
- Standard brackets are included with the towel rail unless otherwise stated. Standard (85mm) & short (60mm) brackets available, Adjustable brackets are £29.95 extra when purchased with rail. £79.90 when purchased separately. Please see page 71 for further details.
- The Sussex Range of towel rails are also available in electric only format. Electric formats start from an additional £79.95 with adjustable options also available. Please see page 69 for more details.
- Please see page 64, 65, 66, 67 and 68 for our valves



# CAMBER - Curved

100% STAINLESS STEEL

Available in Central Heating, Electric & Dual Fuel



<u>Model</u>	<u>Dimensions</u>	<u>BTU</u>	<u>Watts</u>	<u>RRP ex VAT</u>
Camber 400	700 x 400mm	1449	425	£222.26
Camber 520	700 x 520mm	1572	460	£239.98
Camber 620	700 x 620mm	1763	517	£261.48

- The above prices are based on central heating format.
- Available in central heating, electric and dual fuel formats.
- For pipe centres, subtract 30mm from width. For dual fuel, pipe centres may differ.
- Satin finish is available, please add 30% to the price shown.
- Standard brackets are included with the towel rail unless otherwise stated. Standard (85mm) & short (60mm) brackets available, Adjustable brackets are £29.95 extra when purchased with rail, £79.90 when purchased separately. Please see page 71 for further details.
- The Sussex Range of towel rails are also available in electric only format. Electric formats start from an additional £79.95 with adjustable options also available. Please see page 69 for more details.
- Please see page 64, 65, 66, 67 and 68 for our valves







# DESIGNER RAILS



Designer Rails - Fletching Floor to Wall





# FINDON - 100% STAINLESS STEEL

Available in Central Heating, Electric & Dual Fuel

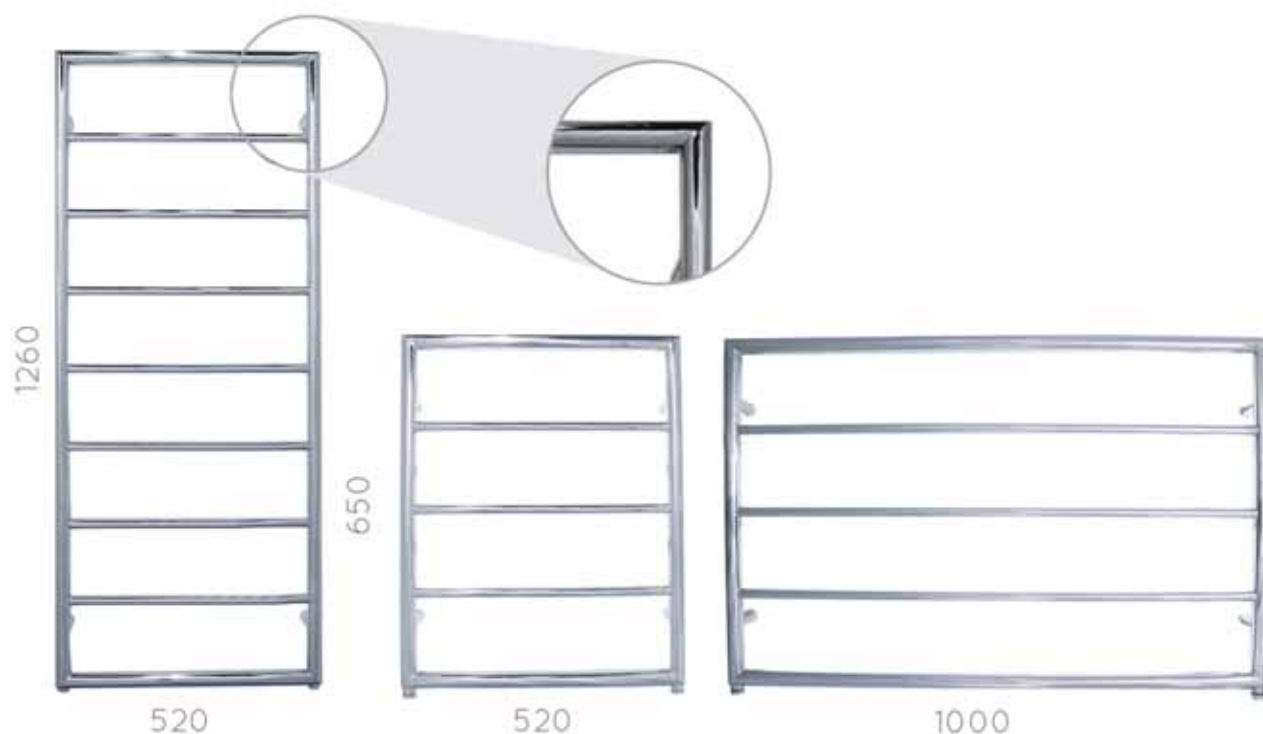


<u>Model</u>	<u>Dimensions</u>	<u>BTU</u>	<u>Watts</u>	<u>RRP ex VAT</u>
Findon	1210 x 540mm	2654	778	£549.95

- Designed for extra practicability, this rails curved bars protrude by a further 110mm from the front of the rail thereby increasing the number of towels that can be hung on it. This rail will particularly suit families.
- The above prices are based on central heating format.
- Available in central heating, electric and dual fuel formats.
- For pipe centres, subtract 30mm from width. For dual fuel, pipe centres may differ.
- Satin finish is available, please add 30% to the price shown.
- Short brackets are included with the towel rail unless otherwise stated. Standard (85mm) & adjustable (60mm - 85mm) brackets available. Adjustable brackets are £29.95 extra when purchased with rail. £79.90 when purchased separately. Please see page 71 for further details.
- The Sussex Range of towel rails are also available in electric only format. Electric formats start from an additional £79.95 with adjustable options also available. Please see page 69 for more details.
- Please see page 64, 65, 66, 67 and 68 for our valves

# ALFRISTON - 100% STAINLESS STEEL

Available in Central Heating, Electric & Dual Fuel



<u>Model</u>	<u>Dimensions</u>	<u>BTU</u>	<u>Watts</u>	<u>RRP ex VAT</u>
Alfriston 1260	1260 x 520mm	2051	601	£495.95
Alfriston 650	650 x 520mm	1060	311	£349.00
Alfriston 1000	650 x 1000mm	1389	407	£449.00

- The above prices are based on central heating format.
- Available in central heating, electric and dual fuel formats.
- For pipe centres, subtract 30mm from width. For dual fuel, pipe centres may differ.
- Satin finish is available, please add 30% to the price shown.
- Standard brackets are included with the towel rail unless otherwise stated. Standard (85mm) & short (60mm) brackets available, Adjustable brackets are £29.95 extra when purchased with rail. £79.90 when purchased separately. Please see page 71 for further details.
- The Sussex Range of towel rails are also available in electric only format. Electric formats start from an additional £79.95 with adjustable options also available. Please see page 69 for more details.
- Please see page 64, 65, 66, 67 and 68 for our valves

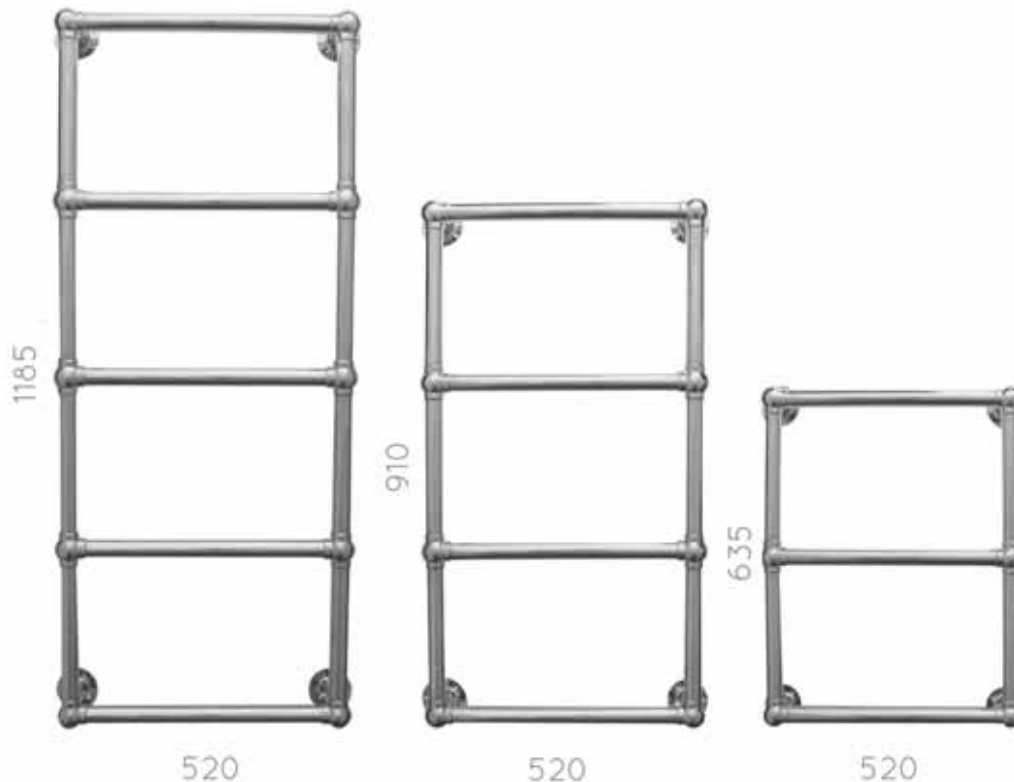






# FLETCHING - 100% STAINLESS STEEL

Available in Central Heating, Electric & Dual Fuel



<u>Model</u>	<u>Dimensions</u>	<u>BTU</u>	<u>Watts</u>	<u>RRP ex VAT</u>
Fletching 1185	1185 x 520mm	1963	576	£689.95
Fletching 910	910 x 520mm	1431	420	£574.95
Fletching 635	635 x 520mm	1020	299	£499.95

- The above prices are based on central heating format.
- Available in central heating, electric and dual fuel formats. For the Fletching model there is a separate element inlet connection on the bottom right hand side.
- This model has side tapplings so the pipe centres will be dependent on the type of valves (when using Solar Angled Valves the pipe centres are 315mm). Please see our website for an image of the valve connection.
- Satin finish is available, please add 30% to the price shown.
- The Sussex Range of towel rails are also available in electric only format. Electric formats start from an additional £79.95 with adjustable options also available. Please see page 69 for more details. Please note, the electric element can be right hand only.
- Please see page 64, 65, 66, 67 and 68 for our valves
- Being a traditional rail the Fletching brackets are not adjustable. In the insitu shot our customer has made up a plate bridging the gap difference between the tiles and the wall.



# FLETCHING FLOOR TO WALL

100% STAINLESS STEEL

Available in Central Heating, Electric & Dual Fuel



<u>Model</u>	<u>Dimensions</u>	<u>BTU</u>	<u>Watts</u>	<u>RRP ex VAT</u>
Fletching Floor to Wall	1200 x 520mm	1858	544	£749.00

- Must be floor to wall mounted
- The above prices are based on central heating format.
- Available in central heating, electric and dual fuel formats.  
For the Fletching model there is a separate element inlet connection on the bottom right hand side.
- This model has side tappings so the pipe centres will be dependent on the type of valves (when using Solar Angled Valves the pipe centres are 315mm). Please see our website for an image of the valve connection.
- Satin finish is available, please add 30% to the price shown.
- The Fletching Wall to Floor can only be supplied in standard electric.  
Please see page 69 for more details.  
Please note, the electric element can be right hand only.
- Please see page 64, 65, 66, 67 and 68 for our valves
- Being a traditional rail the Fletching brackets are not adjustable.



Wall to Floor Fletching

# BRUNSWICK - Square

100% STAINLESS STEEL

Available in Central Heating, Electric & Dual Fuel



<u>Model</u>	<u>Dimensions</u>	<u>BTU</u>	<u>Watts</u>	<u>RRP ex VAT</u>
Brunswick 900/350	900 x 350mm	1111	326	£349.00
Brunswick 900/520	900 x 520mm	1290	378	£359.95
Brunswick 1250/350	1250 x 350mm	1398	410	£459.00

- The above prices are based on central heating format.
- Available in central heating, electric and dual fuel formats.
- Brunswick rails are supplied with adjustable brackets, overall projection from 70mm - 95mm.
- For pipe centres subtract 30mm from width. For dual fuel, pipe centres may vary.
- Satin finish is available, please call to check availability (same price as polished).
- The Sussex Range of towel rails are also available in electric only format. Electric formats start from an additional £79.95 with adjustable options also available. Please see page 69 for more details.
- Please see page 64, 65, 66, 67 and 68 for our valves

# BRUNSWICK - Square

100% STAINLESS STEEL

Available in Central Heating, Electric & Dual Fuel



<u>Model</u>	<u>Dimensions</u>	<u>BTU</u>	<u>Watts</u>	<u>RRP ex VAT</u>
Brunswick 1250/520	1250 x 520mm	1638	480	£499.95
Brunswick 1650/350	1650 x 350mm	1838	539	£579.00
Brunswick 1650/520	1650 x 520mm	2162	633	£599.95

- The above prices are based on central heating format.
- Available in central heating, electric and dual fuel formats.
- Brunswick rails are supplied with adjustable brackets, overall projection from 70mm - 95mm.
- For pipe centres subtract 30mm from width. For dual fuel, pipe centres may vary.
- Satin finish is available, please call to check availability (same price as polished).
- The Sussex Range of towel rails are also available in electric only format. Electric formats start from an additional £79.95 with adjustable options also available. Please see page 69 for more details.
- Please see page 64, 65, 66, 67 and 68 for our valves







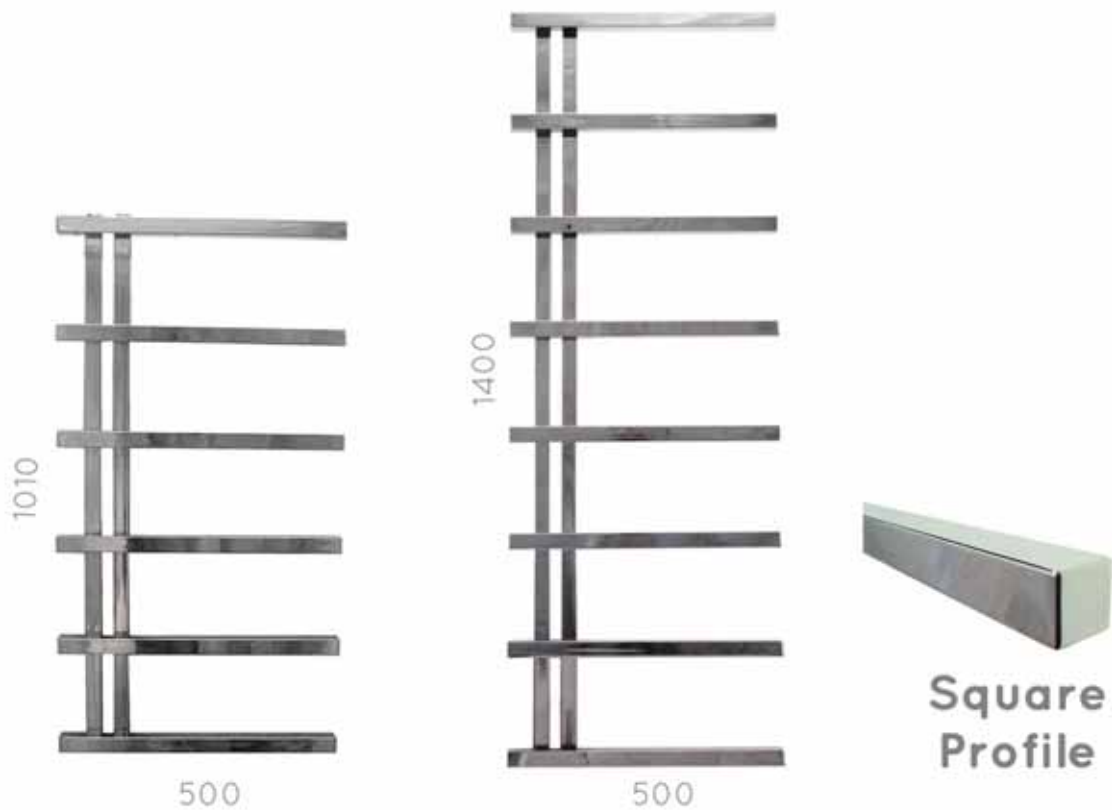


Brunswick 1250/520

# HICKSTEAD - 100% STAINLESS STEEL

Available in Central Heating, Electric & Dual Fuel

SIDE ARM WITH SQUARE PROFILE



<u>Model</u>	<u>Dimensions</u>	<u>BTU</u>	<u>Watts</u>	<u>RRP ex VAT</u>
Hickstead 1010	1010 x 500mm	1291	378	£485.00
Hickstead 1400	1400 x 500mm	1722	505	£687.00

- The above prices are based on central heating format.
- Available in central heating, electric and dual fuel formats.
- Our Hickstead rails are supplied with square adjustable brackets which gives an overall projection of 100mm - 125mm.
- The pipe centres are 52mm. For dual fuel, pipe centres may differ.
- Satin finish is available, please call to check availability (same price as polished).
- The Hickstead can be installed either right armed or left armed. Please note when ordering electric only options, they will be supplied right armed as standard, should you require left armed please specify when ordering.
- The Sussex Range of towel rails are also available in electric only format. Electric formats start from an additional £79.95 with adjustable options also available. Please see page 69 for more details.
- Please see page 64, 65, 66, 67 and 68 for our valves

- 25 YEAR GUARANTEE -



Hickstead



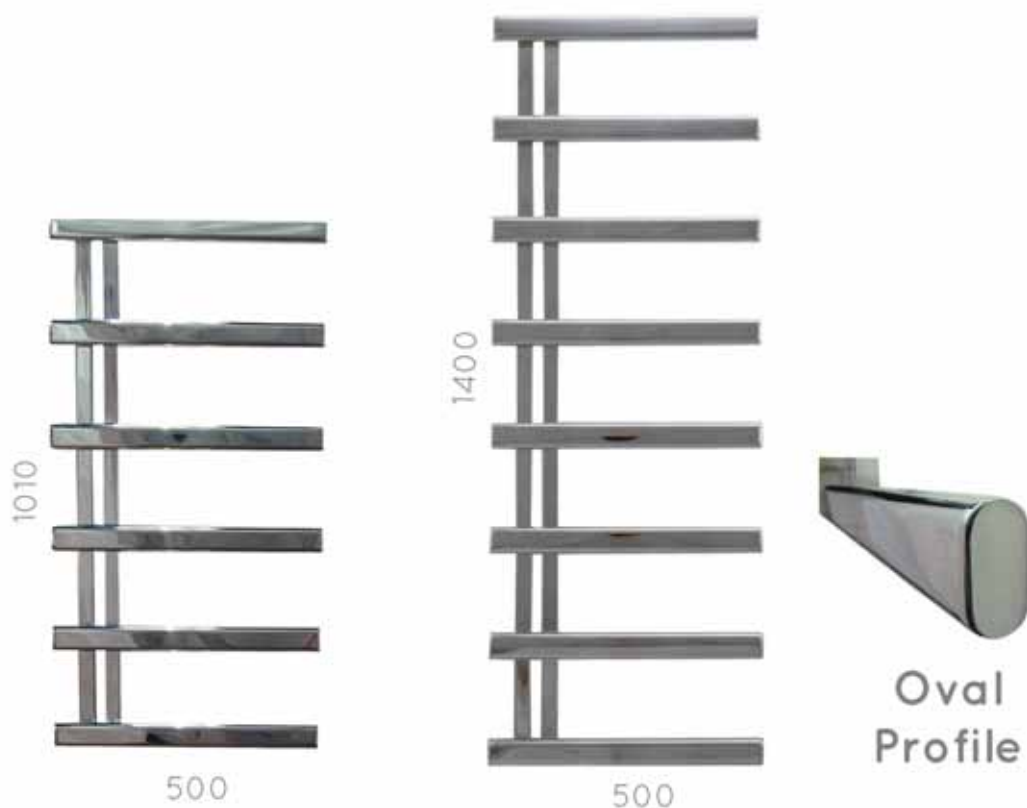
Goodwood 1010



# GOODWOOD - 100% STAINLESS STEEL

Available in Central Heating, Electric & Dual Fuel

SIDE ARM WITH OVAL PROFILE



<u>Model</u>	<u>Dimensions</u>	<u>BTU</u>	<u>Watts</u>	<u>RRP ex VAT</u>
Goodwood 1010	1010 x 500mm	1489	436	£498.00
Goodwood 1400	1400 x 500mm	1986	582	£699.00

- The above prices are based on central heating format.
- Available in central heating, electric and dual fuel formats.
- Our Goodwood rails are supplied with square adjustable brackets which gives an overall projection of 95mm - 120mm.
- The pipe centres are 52mm. For dual fuel, pipe centres may differ.
- Satin finish is available, please call to check availability. Please add 30% to the price shown.
- The Goodwood can be installed either right armed or left armed. Please note when ordering electric only options, they will be supplied right armed as standard, should you require left armed please specify when ordering.
- The Sussex Range of towel rails are also available in electric only format. Electric formats start from an additional £79.95 with adjustable options also available. Please see page 69 for more details.
- Please see page 64, 65, 66, 67 and 68 for our valves

- 25 YEAR GUARANTEE -



## Rye

£20 from the profits of each Rye towel rail is being donated to The Wild at Heart Foundation. The Wild at Heart Foundation, a British non-profit charity funds and supports animal welfare products around the world. In particular, the foundation aims to reduce the world's 600 million stray dog population, by organising and sponsoring rescue projects, neutering programmes, awareness campaigns and educational initiatives.



# RYE - Tilting Ladder Rail

100% STAINLESS STEEL

Available in Central Heating, Electric & Dual Fuel



## Electric Only or Dual Fuel

When ordered in electric only or dual fuel format, two special element cover sleeves are supplied with the towel rail to enable you to still lean the rail on the floor. The cable exits are on the bottom or the back of the element sleeve. Please see our website for an image of the extension legs.

## Dual Fuel

The towel rail has a separate entry piece for valves, so no need for a t-piece, just use a standard element & solar angled valves.

The Rye is shown with Solar Angled Valves (the recommended valve for this rail). Please note valves need to be ordered separately, please see page 61 for details.

<u>Model</u>	<u>Dimensions</u>	<u>BTU</u>	<u>Watts</u>	<u>RRP ex VAT</u>
Rye	1800 x 520mm	1878	550	£449.50

- The above prices are based on central heating format.
- Available in central heating, standard electric and standard dual fuel formats.
- This model has side tappings so the pipe centres will be dependent on the type of valves (when using Solar Angled Valves the pipe centres are 335mm).
- Satin finish is available, please call to check availability. Please add 30% to the price shown.
- The Rye is supplied with it's own brackets. The top brackets are 60mm and the bottom brackets are 120.50mm.
- The Sussex Range of towel rails are also available in electric only format. Please see page 69 for more details. Due to the design of this rail, it can only be used with the standard element.
- Please see page 64, 65, 66, 67 and 68 for our valves



Midhurst



# MIDHURST - Side Fixing Rail

100% STAINLESS STEEL

Available in Central Heating, Electric & Dual Fuel



Brackets attach to the wall, creating a partition within the room.

The Midhurst is shown with Solar Angled Valves (the recommended valve for this rail). Please note valves need to be ordered separately, please see page 61 for details.

<u>Model</u>	<u>Dimensions</u>	<u>BTU</u>	<u>Watts</u>	<u>RRP ex VAT</u>
Midhurst	1765 x 560mm (including brackets)	3345	980	£698.00

- The above prices are based on central heating format.
- Available in central heating, standard electric and standard dual fuel formats.
- This model has side tappings so the pipe centres will be dependent on the type of valves (when using Solar Angled Valves the pipe centres are 345mm).
- Satin finish is available, please call to check availability. Please add 30% to the price shown.
- The Midhurst is supplied with adjustable brackets which give an overall projection of 560mm - 585mm.
- The Sussex Range of towel rails are also available in electric only format. Please see page 69 for more details. Due to the design of this rail, it can only be used with the standard element.
- Please see page 64, 65, 66, 67 and 68 for our valves

# NEWHAVEN - 100% STAINLESS STEEL

Available in Central Heating, Electric & Dual Fuel



<u>Model</u>	<u>Dimensions</u>	<u>BTU</u>	<u>Watts</u>	<u>RRP ex VAT</u>
Newhaven	480 x 520mm	1498	439	£289.95

- The above prices are based on central heating format.
- Available in central heating, electric and dual fuel formats.
- The Newhaven rail comes with short brackets as standard.
- For pipe centres subtract 30mm from width. For dual fuel, pipe centres may differ.
- The overall projection for this rail is 360mm.
- Satin finish is available, please call to check availability, please add 30% to the price shown.
- The Sussex Range of towel rails are also available in electric only format. Electric formats start from an additional £79.95 with adjustable options also available. Please see page 69 for more details.
- Please see page 64, 65, 66, 67 and 68 for our valves



Newhaven

# FEATURE RAILS

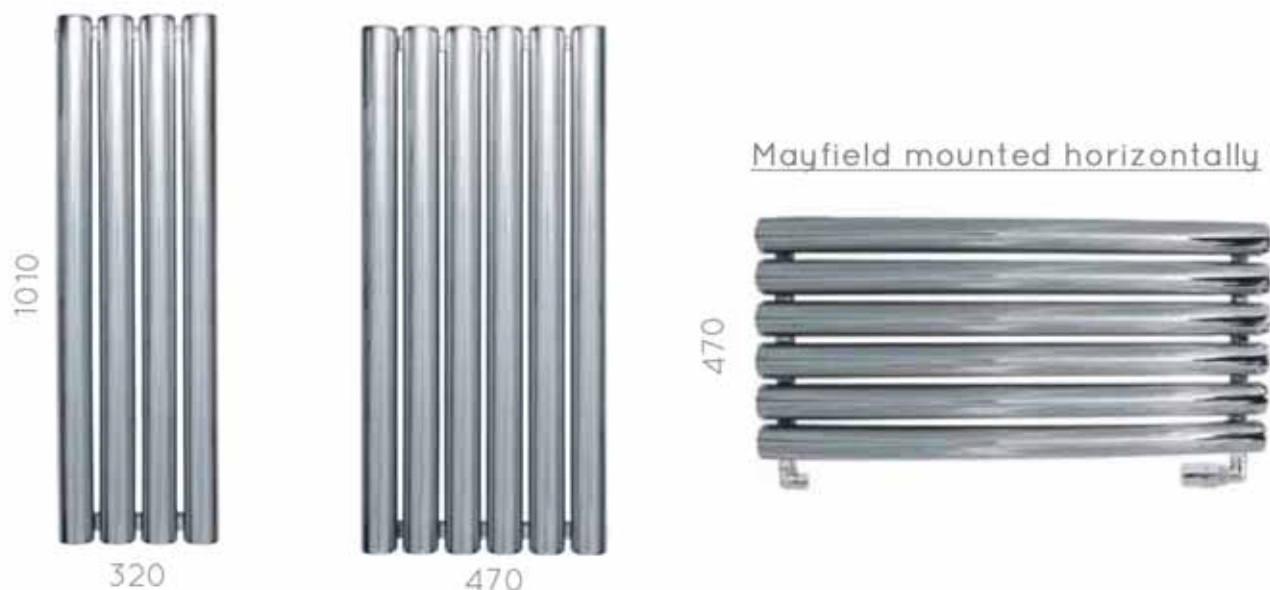




Feature Rails - Arun

# MAYFIELD - 100% STAINLESS STEEL

Available in Central Heating, Electric & Dual Fuel



<u>Model</u>	<u>Dimensions</u>	<u>BTU</u>	<u>Watts</u>	<u>RRP ex VAT</u>
Mayfield 320	1010 x 320mm	2689	788	£449.00
Mayfield 470	1010 x 470mm	3760	1102	£599.00

- The above prices are based on central heating format.
- Available in central heating, electric and dual fuel formats.
- When vertical, this model has side tappings so pipe centres will be dependent on the type of valves.  
When horizontal, the pipe centres are 950mm. For dual fuel, the pipe centres may differ.
- Satin finish is available; please call to check availability (same price as polished).
- Overall projection is 140mm - 160mm.
- Please see page 64, 65, 66, 67 and 68 for our valves
- Due to the Mayfield being extremely heavy in electric format, there is a **£45.00** delivery charge.
- Please note, the Mayfield comes with it's own element. This element is not adjustable but self regulates its heat output. Please see below for RRP prices ex VAT:



- Element Only - £64.95
- Dual Fuel Kit - £74.95
- Electric Only - £94.95

- 25 YEAR GUARANTEE -



Mayfield 320



# ARUN - 100% STAINLESS STEEL

Available in Central Heating, Electric & Dual Fuel



<u>Model</u>	<u>Dimensions</u>	<u>BTU</u>	<u>Watts</u>	<u>RRP ex VAT</u>
Arun 1460/275	1460 x 275mm	2154	631	£695.95
Arun 1460/360	1460 x 360mm	2839	832	£795.95
Arun 1460/535	1460 x 535mm	3676	1077	£1,049.95

- The above prices are based on central heating format.
- Available in central heating, electric and dual fuel formats.
- For pipe centres subtract 60mm from width. For dual fuel, pipe centres may differ.
- Satin finish is available, please call to check availability (same price as polished).
- The Arun is also available in electric only format. Due to the Arun being extremely heavy in electric format, there is an additional **£45.00** transport charge.
- Please see page 64, 65, 66, 67 and 68 for our valves
- For our Arun range we offer optional towel hangers, these can be added to the front of the model making them perfect for kitchens and bathrooms. These are available in three different widths (275mm, 360mm and 535mm). Please see page 58 for further details.



# ARUN - 100% STAINLESS STEEL

Available in Central Heating, Electric & Dual Fuel



<u>Model</u>	<u>Dimensions</u>	<u>BTU</u>	<u>Watts</u>	<u>RRP ex VAT</u>
Arun 1960/275	1960 x 275mm	2805	822	£945.95
Arun 1960/360	1960 x 360mm	3715	1088	£1,095.95
Arun 1960/535	1960 x 535mm	4210	1234	£1,195.95

- The above prices are based on central heating format.
- Available in central heating, electric and dual fuel formats.
- For pipe centres subtract 60mm from width. For dual fuel, pipe centres may differ.
- Satin finish is available, please call to check availability (same price as polished).
- The Arun is also available in electric only format. Due to the Arun being extremely heavy in electric format, there is an additional **£45.00** transport charge.
- Please see page 64, 65, 66, 67 and 68 for our valves
- For our Arun range we offer optional towel hangers, these can be added to the front of the model making them perfect for kitchens and bathrooms. These are available in three different widths (275mm, 360mm and 535mm). Please see page 58 for further details.



Arun 1460/360

# ARUN - MOUNTED HORIZONTALLY

100% STAINLESS STEEL

Available in Central Heating, Electric & Dual Fuel



Add one or more of these towel hangers to your model to dry and air your towels (both available in polished and satin finish).

Arun Towel Hanger - **£74.95 ex VAT**



We supply optional towel hangers which when fitted to these models will allow you to air and dry your towels. The Arun towel hangers, like the Arun model are available in both polished and satin finish.

Our Arun model can be mounted vertically and horizontally, increasing their functionality as well as versatility. Mount it vertically to make a strong statement or horizontally to create a classic look. However you choose to use your Arun model it will be a stylish, as well as functional feature in your home.



- 25 YEAR GUARANTEE -

# HOVE - 100% STAINLESS STEEL

Available in Central Heating, Electric & Dual Fuel



<u>Model</u>	<u>Dimensions</u>	<u>BTU</u>	<u>Watts</u>	<u>RRP ex VAT</u>
Hove 1460/360	1460 x 360mm	2406	705	£595.95
Hove 1460/530	1460 x 530mm	2785	816	£895.95
Hove 1460/710	1460 x 710mm	3498	1025	£1,095.00

- The above prices are based on central heating format.
- Available in central heating, electric and dual fuel formats.
- For pipe centres subtract 60mm from width. For dual fuel, pipe centres may differ.
- Satin finish is available, please call to check availability. Please add 30% to the price shown.
- The Hove is available in electric only format. Due to the Hove being extremely heavy in electric format, there is an additional **£45.00** transport charge.
- Please see page 64, 65, 66, 67 and 68 for our valves
- For our Hove range we offer optional towel hangers, these can be added to the front of the model making them perfect for kitchens and bathrooms. These are available in three different widths (360mm, 530mm & 710). Please see page 61 for further details.



# HOVE - 100% STAINLESS STEEL

Available in Central Heating, Electric & Dual Fuel



<u>Model</u>	<u>Dimensions</u>	<u>BTU</u>	<u>Watts</u>	<u>RRP ex VAT</u>
Hove 1660/360	1660 x 360mm	2944	863	£779.95
Hove 1660/530	1660 x 530mm	3408	999	£995.95

- The above prices are based on central heating format.
- Available in central heating, electric and dual fuel formats.
- For pipe centres subtract 60mm from width. For dual fuel, pipe centres may differ.
- Satin finish is available, please call to check availability. Please add 30% to the price shown.
- The Hove is available in electric only format. Due to the Hove being extremely heavy in electric format, there is an additional **£45.00** transport charge.
- Please see page 64, 65, 66, 67 and 68 for our valves
- For our Hove range we offer optional towel hangers, these can be added to the front of the model making them perfect for kitchens and bathrooms. These are available in three different widths (360mm, 530mm & 710). Please see page 61 for further details.

# HOVE - MOUNTED HORIZONTALLY

100% STAINLESS STEEL

Available in Central Heating, Electric & Dual Fuel



Add one or more of these towel hangers to your model to dry and air your towels (both available in polished and satin finish).

Hove Towel Hanger - **£59.98 ex VAT**



We supply optional towel hangers which when fitted to these models will allow you to air and dry your towels. The Hove towel hangers, like the Hove model are available in both polished and satin finish.

Our Hove model can be mounted vertically and horizontally, increasing their functionality as well as versatility. Mount it vertically to make a strong statement or horizontally to create a classic look. However you choose to use your Hove model it will be a stylish, as well as functional feature in your home.



- 25 YEAR GUARANTEE -



Hove 1460/530

# ACCESSORIES



# VALVES - Pipes from Floor\*

\*ALL VALVES COME AS A PAIR

---

## SOLAR STRAIGHT VALVES - £59.95

Highest quality chrome plated brass valves.  
Available with a polished or satin finish.

PRODUCT CODE: VFS



---

## STRAIGHT TRV'S - £89.95 Energy Saving

Highest quality chrome plated brass valves.  
Available with a polished or satin finish.

PRODUCT CODE: VFSTRV



---

## SQUARE STRAIGHT VALVES - £69.95

Highest quality chrome plated brass valves.  
Available with a polished or satin finish.

PRODUCT CODE: VFSQ



---

## BRUNSWICK STRAIGHT VALVES - £149.95

Highest quality chrome plated brass valves  
with square shroud covering connections  
to rail and pipe.  
Available with a polished or satin finish.

PRODUCT CODE: VFB



- Prices shown are ex VAT
- Satin finish is available. Please add 30% to the price shown
- When ordering satin valves, please add S to the product code
- Mixed valves are available for use with Dual Fuel Kits. Please see page 68.

- 5 YEAR GUARANTEE -

# VALVES - Pipes from Wall\*

\*ALL VALVES COME AS A PAIR

---

## SOLAR ANGLED VALVES - £59.95

Highest quality chrome plated brass valves.  
Available with a polished or satin finish.

PRODUCT CODE: VWS



---

## PROFILE VALVES - £69.95

Highest quality chrome plated brass valves.  
Sits neatly within the towel rail dimensions.  
Available with a polished or satin finish.  
Not suitable for dual fuel.

PRODUCT CODE: VWP



---

## STREAMLINE TRVs - £119.95

BI-DIRECTIONAL  
ENERGY SAVING

Highest quality chrome plated brass valves.  
Sits neatly within the towel rail dimensions.  
Available with a polished or satin finish.  
Not suitable for dual fuel. Angled only

PRODUCT CODE: VWSTRTRV



---

## SQUARE ANGLED VALVES - £69.95

Highest quality chrome plated brass valves  
Available with a polished or satin finish.

PRODUCT CODE: VWSQ



- 
- Prices shown are ex VAT
  - Satin finish is available. Please add 30% to the price shown
  - When ordering satin valves, please add S to the product code

- 5 YEAR GUARANTEE -

# VALVES - Pipes from Wall\*

\*ALL VALVES COME AS A PAIR

---

## BRUNSWICK ANGLED VALVES - £149.95

Highest quality chrome plated brass valves with square shroud covering connections to rail and pipe to wall. Available with a polished or satin finish.



PRODUCT CODE: VWB

---

## SQUARE PROFILE VALVES - £109.95

Highest quality chrome plated brass valves. Sits neatly within the towel rail dimensions. Available with a polished or satin finish. Not suitable for dual fuel. Angled only.



PRODUCT CODE: VWSQP

---

## ANGLED TRVS - £89.95 ENERGY SAVING

Highest quality chrome plated brass thermostatic valves. Available in polished or satin finish.



PRODUCT CODE: VWATRV

---

## SQUARE STREAMLINE TRVS - £189.95 ENERGY SAVING

Highest quality chrome plated brass valves. Sits neatly within the towel rail dimensions. Comes with square shroud covering connections to rail and pipe to wall. Available with a polished or satin finish. Angled only. Not suitable for dual fuel.



PRODUCT CODE: VWSQSLTRV

---

- Prices shown are ex VAT
- Satin finish is available. Please add 30% to the price shown
- When ordering satin valves, please add S to the product code

- 5 YEAR GUARANTEE -

# DUAL FUEL

## Dual Fuel Valves\*

\*ALL VALVES COME AS A PAIR

These new type valves eliminate the need for a T-Piece. Ideal for applications requiring symmetrical pipe centres with dual fuel kits.

Can be used with standard and cylindrical elements.

Only for use with pipes from the wall.

### STANDARD DUAL FUEL VALVES - £84.95

Highest quality chrome plated brass valves.

Element NOT included

PRODUCT CODE: VWDF



### TRV DUAL FUEL VALVES - £139.95

Thermostatic Valves

Bi-Directional

Highest quality chrome plated brass valves.

Element NOT included

PRODUCT CODE: VWDFTRV



### SQUARE DUAL FUEL VALVES - £159.95

Highest quality chrome plated brass valves.

Element NOT included.

PRODUCT CODE: VWSQDF



- Prices shown are ex VAT
- Satin finish is available. Please add 30% to the price shown
- When ordering satin valves, please add S to the product code
- Valves are guaranteed for 5 years

## Elements

In addition to the Dual Fuel Valves an element is required.

Select either a standard element, a standard square or a cylindrical adjustable element. See page 69 for a full description on our elements.

Elements are guaranteed for 12 months and are available in satin at no extra cost.



STANDARD  
£56.95

PRODUCT CODE: STANELEM  
IP55 RATED

Available in the following wattages: 70w, 100w, 150w, 200w, 250w, 300w, 500w.



STANDARD SQUARE  
£84.95

PRODUCT CODE: SSE  
IP55 RATED

Available in the following wattages: 70w, 100w, 150w, 200w, 250w, 300w, 500w.



CYLINDRICAL ADJUSTABLE  
£147.95

PRODUCT CODE: CYLELE  
IP55 RATED

Available in the following wattages: 200w, 400w, 600w.



# DUAL FUEL

## Dual Fuel Kits

Dual Fuel Kits allow you to heat your towel rail electrically when your central heating is turned off. Dual Fuel Kits are comprised of an electric element and a chrome plated t-piece. This allows the element and central heating valve to be connected to one side.

Note: Valves need to be ordered separately.

---

### STANDARD DUAL FUEL KIT - £66.95

Valves NOT included  
PRODUCT CODE: SDFEKP




---

### CYLINDRICAL ADJUSTABLE DUAL FUEL KIT - £154.95

Valves NOT included  
PRODUCT CODE: CYLDFK




---

### SQUARE DUAL FUEL KIT - £76.90

Valves NOT included.  
PRODUCT CODE: SQDFK

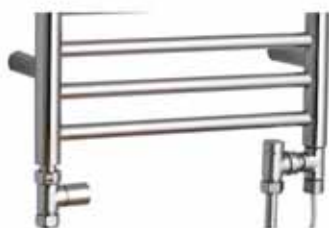


- Prices shown are ex VAT
- When ordering D/F kits please specify the dimensions of the rail or wattage you require
- Satin finish is available to order at no extra cost.
- Left hand dual fuel is available on request
- See page 69 for a full description on our elements
- Elements are guaranteed for 12 months

---

## Mixed Valves

Mixed Valves - for use on Dual Fuel - pipes from the floor only. Highest quality chrome plated brass valves. Available with a polished or satin finish (please add 30% to the price shown for satin finish). Shown below with a standard dual fuel kit (not included).



### MIXED SOLAR VALVES - £59.95

PRODUCT CODE: VMS



### MIXED TRV VALVES - £89.95

PRODUCT CODE: VMTRV

# ELECTRIC ONLY TOWEL RAILS

All of the Sussex Range are available as electric only models.  
As standard, all elements are fitted on the right hand side of the towel rail.  
Left hand elements are available on request.  
For the recommended element wattages for our rails, please see page 73- 74.  
All of our elements come with a minimum of one metre fitted flex.  
Prices shown are ex VAT.  
Satin finish is available at no extra cost.  
Elements are guaranteed for 12 months  
Cable covers can be found on page 70.

For special requirements, i.e restricted temperature elements and class II elements, please call 01444 831200 for more details.

## ELECTRIC ONLY OPTIONS

### STANDARD ELECTRIC OPTION - £79.95 ENERGY SAVING

The standard JIS element is constructed from 100% stainless steel. It is IP55 rated and is designed to be minimal in appearance. This element also has a built-in thermostat which automatically prevents the towel rail from becoming too hot and saves on running costs.



PRODUCT CODE: Add EO to the rail you are ordering

### CYLINDRICAL ADJUSTABLE ELECTRIC OPTION - £149.95 ENERGY SAVING

Our cylindrical adjustable element is IP55 rated and is constructed from 100% stainless steel. Designed to be minimal in appearance, the cylindrical option has four different heat settings with discreet built in LEDs indicating the current heat setting.



Note: This element can be switched off by using the dial.

PRODUCT CODE: Add CEO to the rail you are ordering

### STANDARD SQUARE ELECTRIC OPTION - £102.95 ENERGY SAVING

The standard square electric element is IP55 rated and is constructed from 100% stainless steel. This element has a built in thermostat which automatically prevents the towel rail from becoming too hot and saves on running costs.



PRODUCT CODE: Add SE to the rail you are ordering

# BRACKETS & ACCESSORIES

## STAINLESS STEEL ELEMENT COVER - £39.95

Perfect for when you do not want a visible element cable.  
For use with standard element only.

Please note:

If using short brackets - pipe will need to be shortened  
or sunk into the wall.

Satin finish is also available. please add 30% to the price shown.

PRODUCT CODE: AECC



## SQUARE ELEMENT CABLE COVER - £44.95

Perfect for use when you do not want a visible cable.  
Perfect for use with any square rail (e.g. Brunswick or  
Hickstead).

For use with standard element only.

Satin finish is also available.

PRODUCT CODE: ASQECC



## CYLINDRICAL ELEMENT CABLE COVER - £29.95\*

Perfect for when you do not want a visible element cable.

**\*Only suitable for the cylindrical adjustable element.**

Not suitable for the Fletching.

Depth of element cable cover is 85mm as standard.

A shorter version is also available (60mm).

Satin finish is also available. please add 30% to the price shown.

PRODUCT CODE: ACYECC



## ADDITIONAL SHELF HANGER ACCESSORY

100% stainless steel, can be retro fitted to the following JIS rails:

Ouse 400, 520 & 620, Ashdown 400, 520 & 620, Beacon 400,  
520 & 620, Steyning 400, 520 & 620 and Buxted.

Projection 200mm

£79.95 - 400mm (satin finish available - 30% extra)

£84.95 - 520mm (satin finish available - 30% extra)

£89.95 - 620mm (satin finish available - 30% extra)

PRODUCT CODE: HAN400, HAN520, HAN620



• Prices shown are ex VAT

• Satin finish is available to order, please add S to the product code when ordering

# BRACKETS & ACCESSORIES

## STANDARD BRACKETS - 85MM

Creates overall projection of 117mm

Standard brackets are available for all rails except the Brunswick, Arun, Hove, Fletching, Mayfield, Hickstead, Goodwood, Rye and Midhurst. Standard brackets are included with the towel rail unless otherwise stated.

No extra charge for standard brackets when ordered with rail.  
£49.95 when ordered separately.

PRODUCT CODE: B85



## SHORT BRACKETS - 60MM

Creates overall projection of 92mm

Short brackets are available for all rails except the Brunswick, Arun, Hove, Fletching, Mayfield, Hickstead, Goodwood, Rye and Midhurst. Please state short brackets at the time of ordering.

No extra charge for short brackets when ordered with rail.  
£49.95 when ordered separately.

PRODUCT CODE: B60



## ADJUSTABLE BRACKETS - 60MM - 85MM

Available as an optional extra. Adjustable brackets are available for all rails except the Brunswick, Arun, Hove, Fletching, Mayfield, Hickstead, Goodwood, Rye and Midhurst.

This bracket is the perfect solution for applications such as 1/2 tiled walls where you need varying bracket lengths.

Please state adjustable brackets at the time of ordering.

£29.95 when ordered with the rail.  
£79.90 when ordered separately.

PRODUCT CODE: BADJ



- Prices shown are ex VAT
- Satin finish is available to order at no extra cost, please add S to the product code when ordering
- The brackets are positioned on the vertical uprights of the rail and not the horizontal bars thereby making the whole width available to hang towels.



# BRACKETS & ACCESSORIES

## CHROME PIPE KIT - £19.95

15mm copper pipe chrome plated with round shrouds. Ideal for applications where you do not want copper pipe work exposed.

Satin finish is available. Please add 30% to the above price.

PRODUCT CODE: ACPK



## SQUARE CHROME PIPE KIT - £29.95

15mm copper pipe chrome plated with square shrouds. Ideal for applications where you do not want copper pipe work exposed.

Satin finish is available. Please add 30% to the above price.

PRODUCT CODE: ASQPK



## AUTO BLEED VALVES - £9.95

Expelling air from the system increases the efficiency of the heating system, this can reduce the fuel required. Please note, our Auto Bleed Valves are not compatible with our Fletching range.

PRODUCT CODE: AABV



## STAINLESS STEEL AFTERCARE - £8.95

JIS Europe's recommended stainless steel polish. Ideal for removing minor scratches, imperfections & blemishes from our stainless steel rails. For use with polished rails only.

PRODUCT CODE: ASSA



- Prices shown are ex VAT
- If satin finish is available to order, please add S to the product code when ordering

# TECHNICAL INFORMATION

Model	Height (mm)	Width (mm)	Pipe Centres (mm)	Pipe centre from the wall* (mm)	Projection (mm)*	Heat Output C/H format		Bracket position (mm)			Weight Kg	Elements	
						BTU	Watts	Centres	from top	from bottom		Standard	Cylindrical Adjustable
Ouse 300	700	300	270	102	117 *	1068	313	270	120	110	4.40	100 w	200 w
Ouse 400	700	400	370	102	117 *	1380	404	370	120	110	5.00	100 w	200 w
Ouse 520	700	520	490	102	117 *	1500	440	490	120	110	5.80	150 w	200 w
Ouse 620	700	620	590	102	117 *	1648	483	590	120	110	6.50	150 w	200 w
Camber 400 <i>Curved Front</i>	700	400	370	102	140 *	1449	425	370	120	110	5.00	150 w	200 w
Camber 520 <i>Curved Front</i>	700	520	490	102	165 *	1572	460	490	120	110	6.20	150 w	200 w
Camber 620 <i>Curved Front</i>	700	620	590	102	165 *	1763	517	590	120	110	6.60	150 w	200 w
Ashdown 300	1250	300	270	102	117 *	2106	617	270	120	110	6.80	200 w	200 w
Ashdown 400	1250	400	370	102	117 *	2368	694	370	120	110	8.00	200 w	400 w
Ashdown 520	1250	520	490	102	117 *	2500	733	490	120	110	9.60	200 w	400 w
Ashdown 620	1250	620	590	102	117 *	2726	799	590	120	110	10.80	250 w	400 w
Findon	1210	540	510	102	195	2654	778	510	190	110	10.20	250 w	400 w
Adur 400 <i>Curved Front</i>	1250	400	370	102	140 *	2486	728	370	120	110	7.90	200 w	400 w
Adur 520 <i>Curved Front</i>	1250	520	490	102	165 *	2597	761	490	120	110	9.60	250 w	400 w
Adur 620 <i>Curved Front</i>	1250	620	590	102	165 *	2841	832	590	120	110	11.00	250 w	400 w
Newick 750	600	750	720	102	117 *	1676	491	720	120	110	6.80	150 w	200 w
Newick 1000	600	1000	970	102	117 *	1885	552	970	120	110	8.40	200 w	200 w
Newick 1200	600	1200	1170	102	117 *	2079	609	1170	120	110	9.70	200 w	200 w
Beacon 400	1650	400	370	102	117 *	2709	794	370	120	110	10.30	300 w	400 w
Beacon 520	1650	520	490	102	117 *	2932	859	490	120	110	12.50	300 w	600 w
Beacon 620	1650	620	590	102	117 *	3129	917	590	120	110	13.90	300 w	600 w
Coombe	780	500	470	102	117 *	1998	585	470	120	110	7.40	200 w	200 w
Ansty	1191	600	570	102	117 *	2859	838	570	120	110	12.80	300 w	400 w
Buxted	370	520	490	102	117 *	840	246	490	60	60	3.60	100 w	200 w
Cinder	370	520	490	102	117 *	410	120	490	120	110	2.80	70 w	200 w
Rusper	700	520	490	102	117 *	740	217	490	120	110	4.10	100 w	200 w
Pevensey	975	520	490	102	117*	1381	405	490	110	100	4.90	150 w	200 w
Lindfield	1275	520	490	102	117*	1726	506	490	120	110	6.40	200 w	200 w
Ardingly	1580	520	490	102	117*	2114	617	490	120	110	7.90	250 w	400 w
Newhaven	480	520	490	77	360	1498	439	490	160	70	6.20	150 w	200 w
Alfriston 1260/520	1260	520	480	102	117 *	2051	601	490	120	115	7.60	200 w	400 w
Alfriston 650/520	650	520	480	102	117 *	1060	311	490	120	130	4.60	150 w	200 w
Alfriston 650/1000	650	1000	960	102	117 *	1389	407	970	120	130	6.80	150 w	200 w
Lewes 1400	1400	520	490	102	117 *	2109	618	490	120	110	7.80	200 w	200 w
Lewes 980	980	520	490	102	117 *	1533	449	490	120	110	5.90	150 w	200 w
Lewes 560	560	520	490	102	117 *	938	275	490	120	110	3.80	100 w	200 w

# TECHNICAL INFORMATION

Model	Height (mm)	Width (mm)	Pipe Centres (mm)	Pipe centre from the wall* (mm)	Projection (mm)*	Heat Output C/H format		Bracket position (mm)			Weight Kg	Elements	
						BTU	Watts	Centres	from top	from bottom		Standard	Cylindrical Adjustable
Steyning 300	1000	300	270	102	117*	1517	445	270	120	110	5.50	200w	200w
Steyning 400	1000	400	370	102	117 *	1806	529	370	120	110	6.40	200w	200w
Steyning 520	1000	520	490	102	117*	1968	576	490	120	110	7.70	200w	200w
Steyning 620	1000	620	590	102	117 *	2108	618	590	120	110	8.70	200w	200w
Brunswick 1250/350	1250	350	320	56-82	70-95	1398	410	320	65	65	6.80	200w	200w
Brunswick 1650/350	1650	350	320	56-82	70-95	1838	539	320	25	25	8.30	200w	400w
Brunswick 1250/520	1250	520	490	56-82	70-95	1638	480	490	64	64	7.90	200w	200w
Brunswick 1650/520	1650	520	490	56-82	70-95	2162	633	490	25	25	10.40	250w	400w
Brunswick 900/520	900	520	490	56-82	70-95	1290	378	490	50	50	5.90	150w	200w
Brunswick 900/350	900	350	320	56-82	70-95	1111	326	350	50	50	5.10	150w	200w
Fletching 635	635	520	Side entry	50	150	1020	299	460	40	40	5.50	100w	200w
Fletching 910	910	520	Side entry	50	150	1431	420	460	40	40	7.70	150w	200w
Fletching 1185	1185	520	Side entry	50	150	1963	576	460	40	40	9.80	200w	400w
Fletching - Floor to Wall	1200	520	Side entry	120	150	1858	544	460	40	0	9.50	200w	N/A
Hickstead 1010	1010	500	52	56-82	100-125	1291	378	52	140	140	6.40	200w	200w
Hickstead 1400	1400	500	52	56-82	100-125	1722	505	52	100	100	7.70	200w	200w
Goodwood 1010	1010	500	52	56-82	95 - 120	1489	436	52	140	140	9.40	200w	200w
Goodwood 1400	1400	500	52	56-82	95 - 120	1986	582	52	100	100	10.20	200w	200w
Rye	1800	520	Side entry	165	190	1878	550	Top: 315 Bottom: 430	450	450	7.10	200w	N/A
Midhurst	1765	550	Side entry	N/A	560	3345	980	N/A	95	245	12.10	300w	N/A
Hove 1460/360	1460	360	300	55	75	2406	705	Variable			10.70	300w	400w
Hove 1460/530	1460	530	470	55	75	2785	816	Variable			14.20	300w	600w
Hove 1460/710	1460	710	650	55	75	3498	1025	Variable			39.00	500w	600w
Hove 1660/360	1660	360	300	55	75	2944	863	Variable			10.50	300w	400w
Hove 1660/530	1660	530	470	55	75	3408	999	Variable			15.60	500w	600w
Arun 1460/275	1460	275	215	65	80	2154	631	175	85	0	13.10	300w	400w
Arun 1460/360	1460	360	300	65	80	2839	832	260	85	0	27.00	300w	400w
Arun 1460/535	1460	535	475	65	80	3676	1077	435	85	0	23.40	500w	600w
Arun 1960/275	1960	275	215	65	80	2805	822	175	85	0	16.70	500w	600w
Arun 1960/360	1960	360	300	65	80	3715	1088	260	85	0	21.60	500w	600w
Arun 1960/535	1960	535	475	65	80	4210	1234	435	85	0	29.00	500w	600w
Mayfield 320	1010	320	950 (Horizontal)	55 - 75	140 - 160	2689	788	165	25	25	13.20	N/A	N/A
Mayfield 470	1010	470	950 (Horizontal)	55 - 75	140 - 160	3760	1102	320	30	25	18.70	N/A	N/A

\*Standard brackets measurement, shortened brackets available to reduce projection/centres by 25mm. Not applicable for Arun, Hove, Mayfield, Fletching, Goodwood, Hickstead, Brunswick, Newhaven, Rye, Midhurst or Findon. Heat output figures are for central heating versions. BTU/Watt figures are based on  $\Delta T=60K$ . All towel rails are manufactured from 100% Stainless Steel and can be used on all systems including open/hot water systems. (Assuming the water is non corrosive and of good drinking water standard)





Beacon 520





**JIS EUROPE**  
100% STAINLESS STEEL  
— EST 1997 —

HEATED TOWEL RAILS